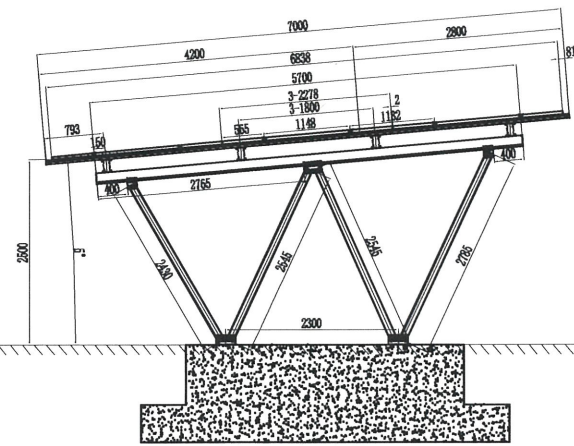
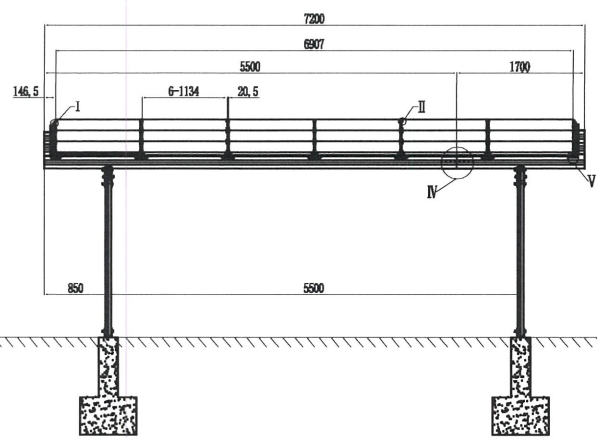
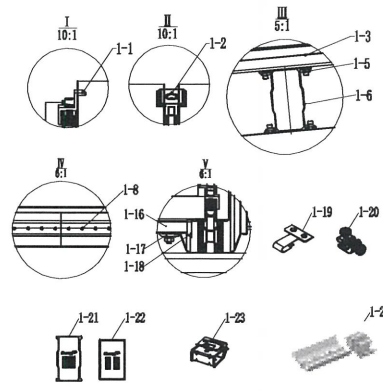
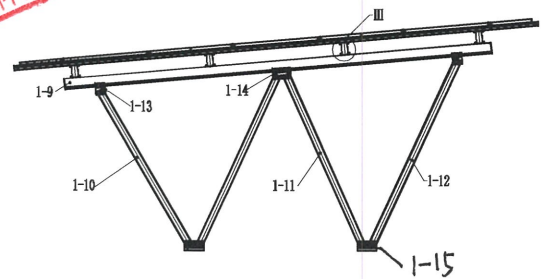


1. 物料以比例图为准, 一切以标注尺寸为准
 1. In the Bill Materials, the Figures Dimensions Only
 2. 本图型如未标注材料, 否则一律无放
 2. This drawing is valid only if not accompanied with notes



工程技术资料专用章
 清源科技股份有限公司



A: Location planning of anchor-plate 2:1

1. Tilt angle: 5°
2. Module: 2278x1134x35
3. Panels of one unit: 3x6=18
4. Qty of unit: 50
5. Wind Speed: 34 m/s
6. Snow Load: 0.7 KN/m2
7. Span: 5500 mm
8. This design does not contain embedded fasteners

Item	Part Name	Spec.	Material	Qty	Weight/kg	Remark
1-24	PP-back exShade II Splice for Nail 60			7		
1-23	PP-back CapLimo Cable Clip for PP Panels for holding 2 cables			18		
1-22	CAP-G/SD11/160		90*151*17	4		
1-21	CAP-R/SD11/168		90*168*17	8		
1-20	EX-GL-U			7		
1-19	GC-LSR			36		
1-18	ER-GU/SD11/22		92.4*24.5*6	48		
1-17	G-SD11/50/35		150	48		
1-16	GU-SD11/22/1087		L1087	24		
1-15	RA-SD11/280		L280	4		
1-14	RJ-SD11/188/240		L240	2		
1-13	RJ-SD11/188/130		L130	4		
1-12	KT-100/90/2785		L2785	2		
1-11	KT-100/90/2545		L2545	4		
1-10	KT-100/90/2430		L2430	2		
1-9	G-SD11/150/5700		L5700	2		
1-8	SP-SD11/R/168		L500	4		
1-7	R-SD11/168/1700		L1700	4		
1-6	R-SD11/168/5500		L5500	4		
1-5	ER-RC-T/W		L50	88		
1-4	R-SD11/60/2800		L2800	7		
1-3	R-SD11/60/4200		L4200	7		
1-2	ER-ICII-W35/38		L50	30		
1-1	ER-EC-W35/38		L50	12		

Item	Mark	Alter No.	Modify The Content	Sign	Date	Revision	Version	Company
						VI.0	CHNP	exShade II
						清源科技股份有限公司 Clenergy technology co., Ltd.		
		App'r	Chk'r	STD	Design	Title: Ireland Carport 60 Kits		
		Sign				Material	Weight	Part No.
		Date				Qty		Part No. DP228251407-01JW01
						Scale	Qty	Page 1 of 1